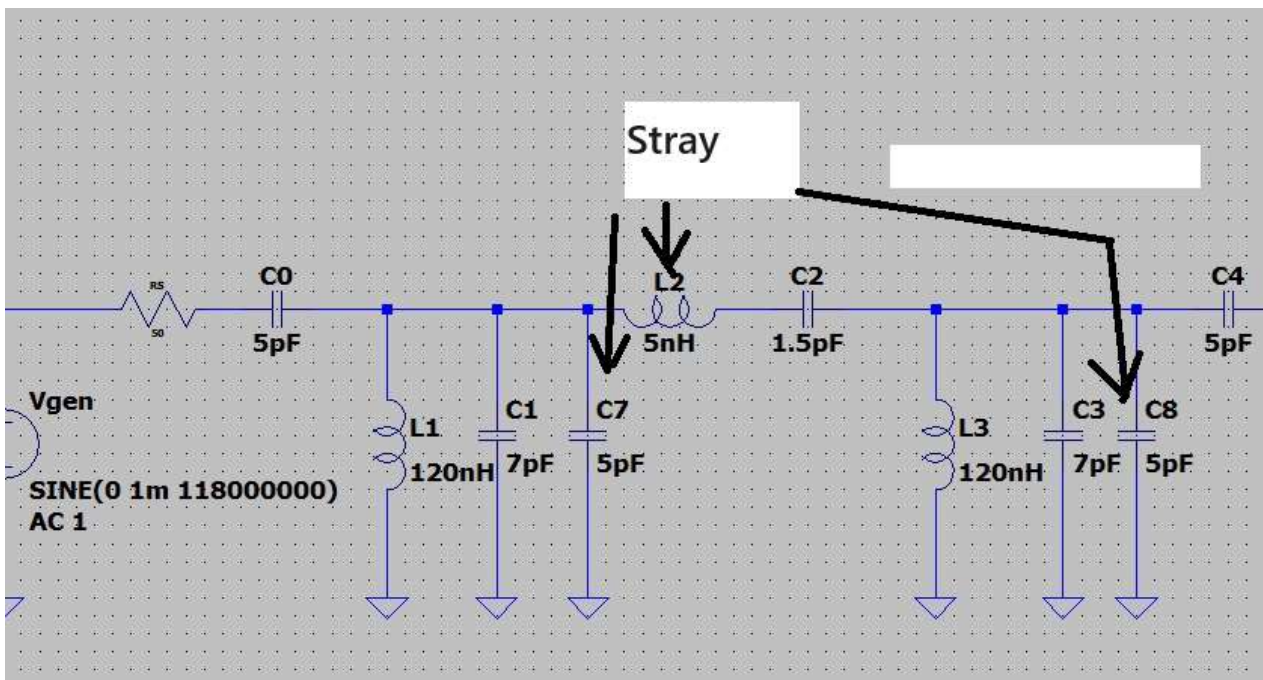


1. Front end filter : stagger

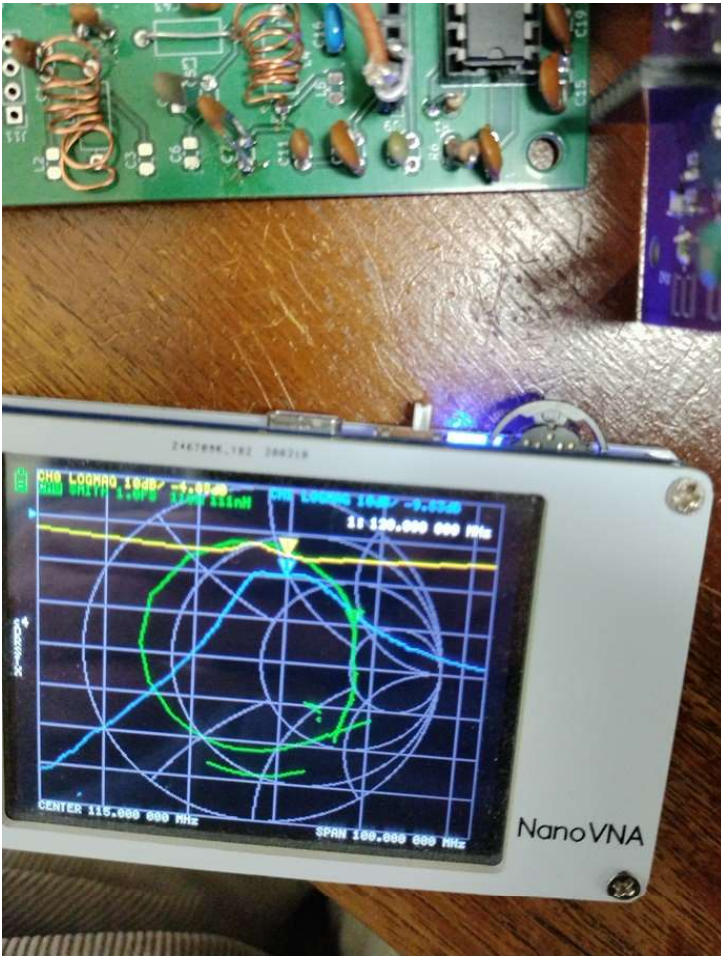
	C0	L1	C1	L2	C2	L3	C3	C4
Value	5pF	120nH	7pF	0	1.5pF	120nH	7pF	5pF

L1 L3 winding

To wind enamel wire of $\Phi 0.5$ on $\Phi 5$ drill bit as 7 tuen. Length is 10mm.



The actual band path characteristics to monitor by nano VNA.
Center 120MHz \pm 5MHz -10dB



2. TA2003 FM-RF-OUT coil (To be replaced with R1)
Troidal core T25-2(Red) 0.5 Φ Enamel wire 8 turns

