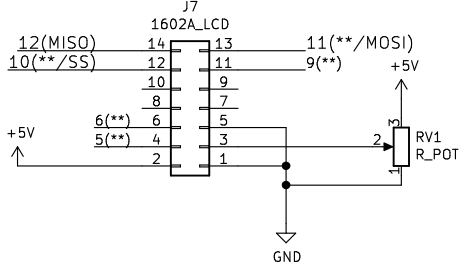
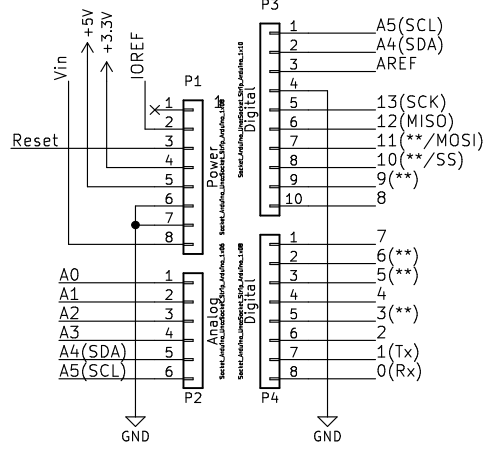
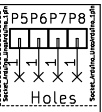


Shield for Arduino that uses the same pin disposition like "Uno" board Rev 3.



<b>nobcha</b>	
Sheet: /	
File: 5351_lo_chibi.sch	
<b>Title: Chibiduno+Si5351a+SW+AGC</b>	
Size: A4	Date: 2020-10-16
KiCad E.D.A. kicad (5.1.6)-1	Rev: V1.1
	Id: 1/1